

USF Series

ASME Code Multi-Cartridge Filter Housings-Four through Fifty-Two Round



- ASME "U" code design housings for commercial and industrial filtration needs
- Heavy-duty 304L or 316L stainless steel construction for maximum durability
- 150 psig (10.3 bar) @ 300°F (149°C) design pressure
- Swing bolt closure with lifting davit for easy cartridge change-outs and secure sealing
- Holds four (4) to fifty-two (52) cartridges up to 40" lengths to service a wide range of flow rates
- Accepts standard double open-ended (DOE) style cartridges (222 and 226 style adapters are optional)
- Knife edge seals eliminate bypass on DOE cartridges
- Top spring seals allow for cartridge length variations
- Flange inlet and outlet connections allow for easy piping
Drain connections permit quick evacuation of housing
- Equipped with heavy-duty stainless steel mounting legs
- For information on filter cartridges, flow charts and drawings visit our website or call the factory

Applications

Water	Desalination
Chemicals	Food & Beverage
Electronics	Oil / Gas
Power	Inks / Paints / Coatings
Coolants	Pulp & Paper

Specifications & Operating Parameters

Maximum Operating Pressure

150 psig (10.3 bar) @ 300°F (149°C)

Inlet and Outlet Connections

Inlet /Outlet: 2"-6" Flange

Drain Ports: 1/2"-3/4" FNPT

Vent Ports: 1/4"-1/2" FNPT

Materials of Construction

Head and Shell: 304L or 316L Stainless Steel

Connections: 304L or 316L Stainless Steel

Vent and Drain Plugs: 304L or 316L Stainless Steel

Mounting Legs: 304L Stainless Steel

Swing Bolts: Zinc Plated Steel

Gaskets

Buna N (FDA Grade)

Optional: EPR, Silicone, Viton or Teflon

Encapsulated Silicone

Finish

Glass Bead

Optional: Electro-polish, passivate or 134 epoxy coating

Cartridge Type

DOE style cartridges (maximum 2 5/8" diameter)

Optional: 222 and 226 adapters. For 2 3/4" diameter cartridges... order as 21USF, 32USF or 50USF housings

Custom Options

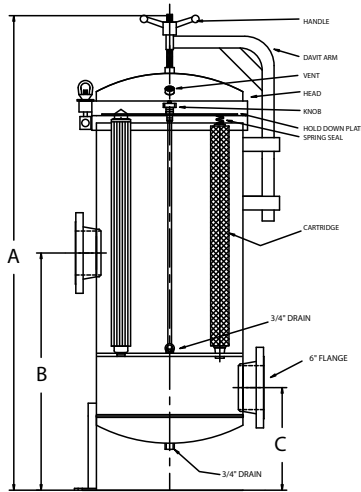
- Gauge Ports or Gauge Ports with Pressure Gauges

See Ordering Guide for complete selection of options

MODEL	QUANTITY (LENGTH) OF CARTRIDGES +	RATED FLOW CAPACITY* GPM(LPM)	INLET / OUTLET (PIPE SIZE)			
				A	B	C
4USF4/ 5USF4	4/5 (10"-40")	28-140 (106-530)	2"	-	-	-
7USF4	7 (10"-40")	49-196 (185-742)	2"	-	-	-
12USF4	12 (20"-40")	168-336 (636-1272)	3"	68 1/2" (174.0 cm)	15 3/8" (39.1 cm)	10" (25.4 cm)
22USF4	22 (30"-40")	462-616 (1749-2332)	4"	62 3/16" (158 cm)	15 1/4" (38.7 cm)	9 1/2" (24.1 cm)
36USF4**	36 (30"-40")	756-1008 (2862-3816)	6"	74 3/4" (189.9 cm)	32 3/8" (82.2 cm)	14" (35.6 cm)
52USF4	52 (30"-40")	1092-1456 (4134-5512)	6"	75 15/16" (192.9 cm)	32 3/8" (82.2 cm)	14" (35.6 cm)

+ Housings will accept cartridge lengths: 30" = (29 1/4" or 30") and 40" = (39" or 40")
* Based upon 7 gpm per 10" length with a 25 micron wound cartridge at 2 PSID clean and viscosity of 1 cps. Flow rates are for guidelines only.
Actual flow rates are based on fluid, viscosity, cartridge type, micron ratings and other factors.
** When using 222 or 226 connectors with 2 3/4" OD filter cartridges in a 36USF housing, you must change to a 21USF housing (21 round).
When using 222 or 226 connectors with 2 3/4" OD filter cartridges in a 52USF housing, you must change to a 32USF housing (32 round).
When using 222 or 226 connectors with 2 3/4" OD filter cartridges in a 52USF housing, you must change to a 50USF housing (50 round).
Note: Dimensions are for reference purposes only. Detailed dimensional drawings are available. Please contact Shelco's technical support staff for additional information.

Dimensions



Ordering Guide (Example: 12USF3SB-316-222-6F-GP-B)

12USF	3	SB	-	316	-	222	-	6	F	-	GP	-	B
MODEL	LENGTH OF CARTRIDGES	CLOSURE STYLE	MATERIAL	CARTRIDGE CONFIGURATION	CONNECTION SIZE	CONNECTION TYPE	OPTIONS	GASKET					
4USF	1 = 1 High*	SB = Swing Bolt	304 = 304L 316 = 316L	Blank = DOE Style	2 = 2"	F = Flange	GP = Gauge Ports GPA = Gauge ports with Gauges EP = Electro-Polish GB = Glass Bead P = Passivate UP = Universal Parts	B = Buna N (Standard) E = EPR S = Silicone V = Viton TS = Teflon Encapsulated Silicone					
5USF	2 = 2 High*			Cartridges (Standard)	5USF, 7USF)								
7USF	3 = 3 High			222 = 222 Fin/Flat Style	3 = 3"								
12USF	4 = 4 High			Cartridges	4 = 4"								
22USF				226 = 226 Fin/Flat Style	6 = 6"								
36USF				Cartridges	(36USF, 52USF)								
52USF			8 = 8**										

* Available in 4USF, 5USF and 7USF models

Customization

Housings may be customized to meet your precise requirements. Contact Shelco's technical support staff or your distributor for more information.



Shelco Filters

100 Bradley Street
Middletown, CT 06457 USA

Tel: 800-543-5843 / Fax: 860-854-6120 / E-mail: info@shelco.com

MicroSentry™, MicroVantage™, Shelco Filters® and the Shelco logo are registered trademarks of the Tinny Corporation. Shelco Filters is a division of the Tinny Corporation.