

AUTOMATIC COARSE SCREEN FILTERS

ORC Series

The standard **ORIVAL** filter spans the 10-3,000 micron filtration spectrum. Applications may be encountered where fine filtration is unnecessary, or the high loading of large particles may require a separate filtration of coarse particles.

THE SOLUTION:

As a solution, automatic coarse screen in-line **ORIVAL** filters are available with a stainless steel perforated screen which is cleaned automatically. The housing is constructed of carbon steel, covered internally and externally by a baked-on polyester coating, with other materials available upon request. Access to the filter internals is by means of a removable bolted cover, allowing for ease of service and maintenance. All wetted parts are constructed of non-corrosive metals, allowing for extended service life.

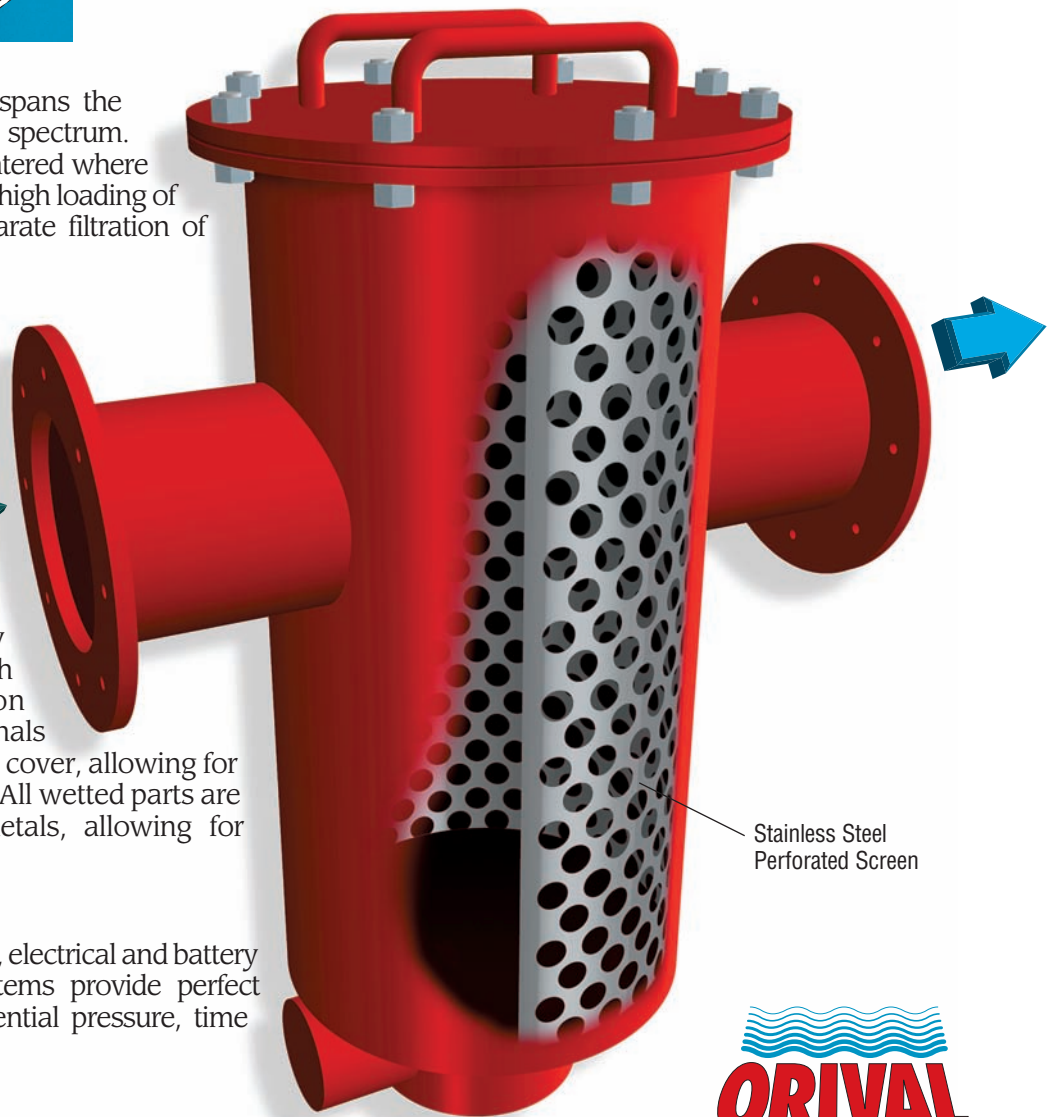
CONTROLS:

The state of the art PC-board-based, electrical and battery operated **OMNITROL** control systems provide perfect rinse cycle activation using differential pressure, time cycle or volumetric flow.

OPERATION:

During normal operation, the dirty water enters the inlet and travels to the concave surface of the perforated screen. The flow is longitudinal, trapping the large particles on the surface of the perforated screen. The water then exits the filter through the outlet.

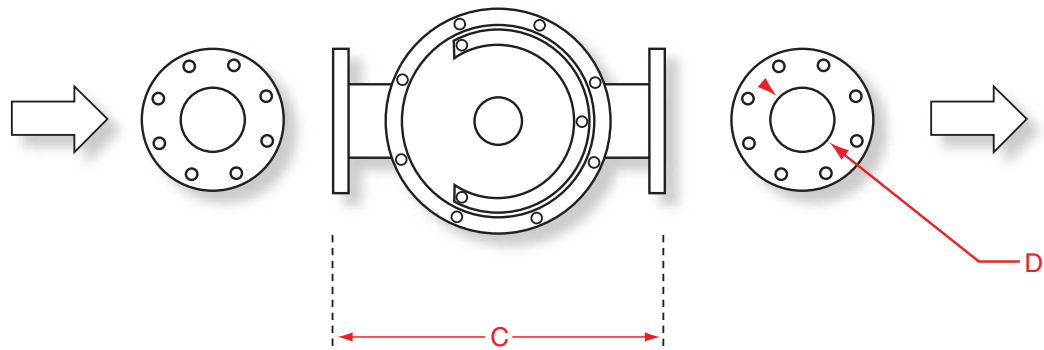
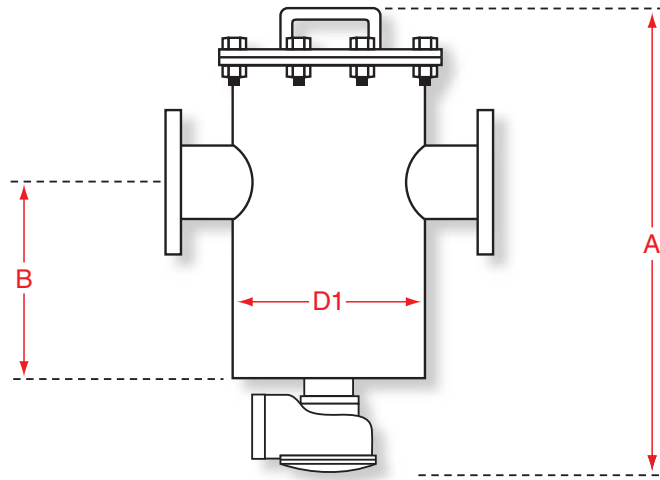
The screen rinse cycle initiation is accomplished by energizing a solenoid valve which controls the diaphragm valve located opposite of the filter cover. When the solenoid valve is energized, the top portion of the diaphragm valve drains, causing the valve to open. When the valve opens, a portion of the water flows back through the screen, lifting the solids off. At the same time, a portion of the water flows from the inlet of the filter and out to be drained, carrying the accumulated solids with it.



ORIVAL
Automatic Self-Cleaning
WATER FILTERS

213 S. Van Brunt St.,
Englewood, NJ 07631
(800) 567-9767
(201) 568-3311
Fax (201) 568-1916
www.orival.com
filters@orival.com

ORC Series



Orival Inc. reserves the right to incorporate changes and improvements in the products without prior notice

Available Models:

Model No.	A in	B in	C in	D in	D1 in	Flush Valve in	Max Flow Rate gpm
ORC-04	26.00	15.00	20.30	4	10	2	450
ORC-06	31.30	19.50	23.00	6	12	3	900
ORC-08	31.30	19.50	23.00	8	12	3	1360
ORC-10	37.40	21.30	25.80	10	14	3	1850
ORC-12	37.40	21.30	25.80	12	14	3	2750
ORC-14	43.30	25.00	30.00	14	18	3	4100
ORC-16	43.30	25.00	30.00	16	18	3	5000

Screen Apertures:

Micron: 3000,5000,8000



213 S. Van Brunt Street, Englewood, NJ 07631
(800) 567-9767 • (201) 568-3311 • Fax (201) 568-1916

www.orival.com